

Version: 1.0
Version code: 3516
Date: 2021-12-15
First edition

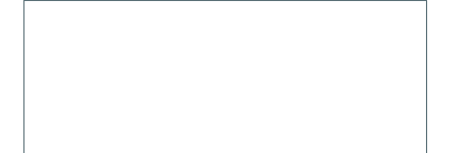
0_MB_3516 File: 0_MB_3516.kicad_sch



1_AP_3516 File: 1_AP_3516.kicad_sch



2_Audio_3516 File: 2_Audio_3516.kicad_sch



注意事项：

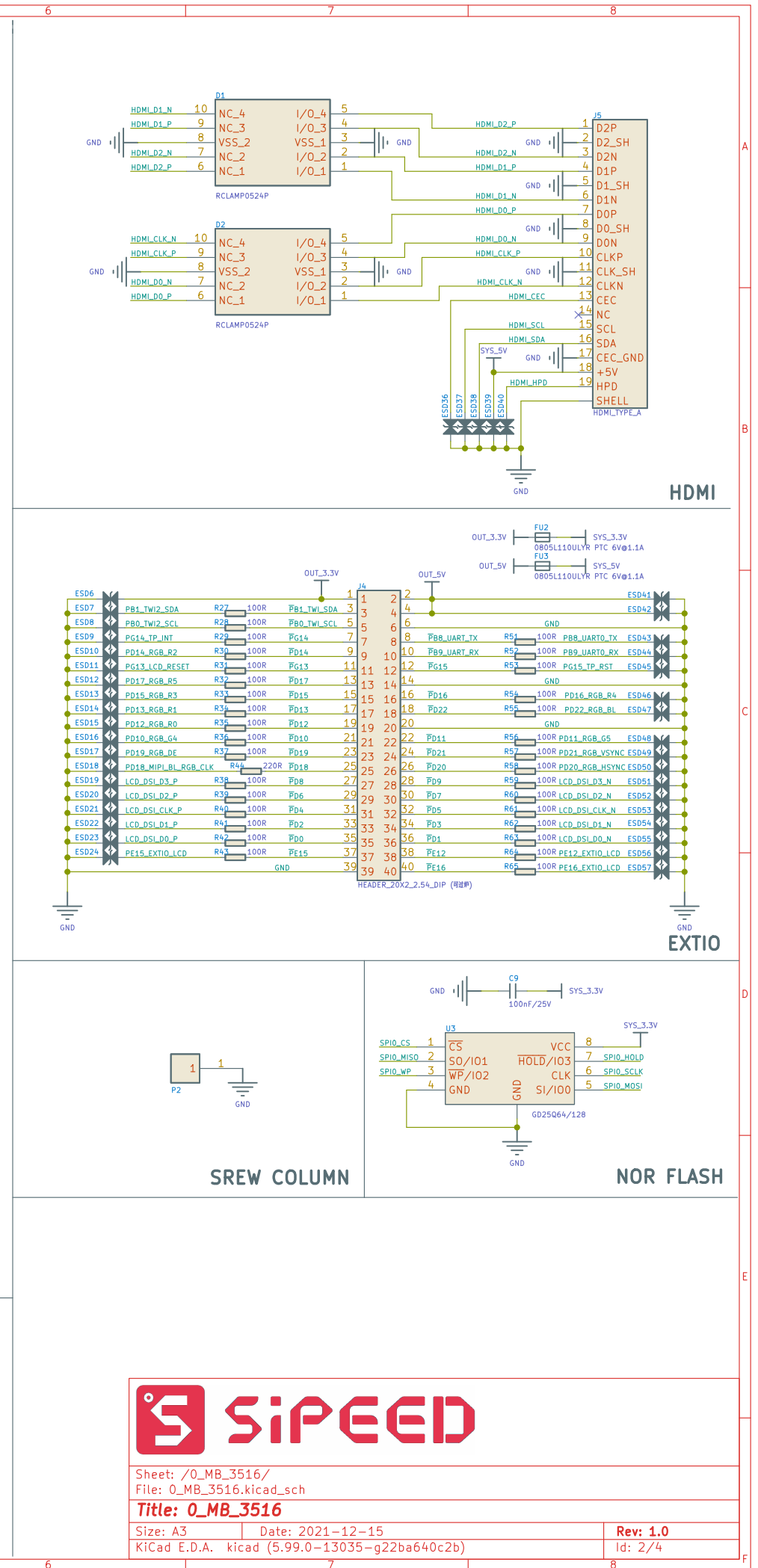
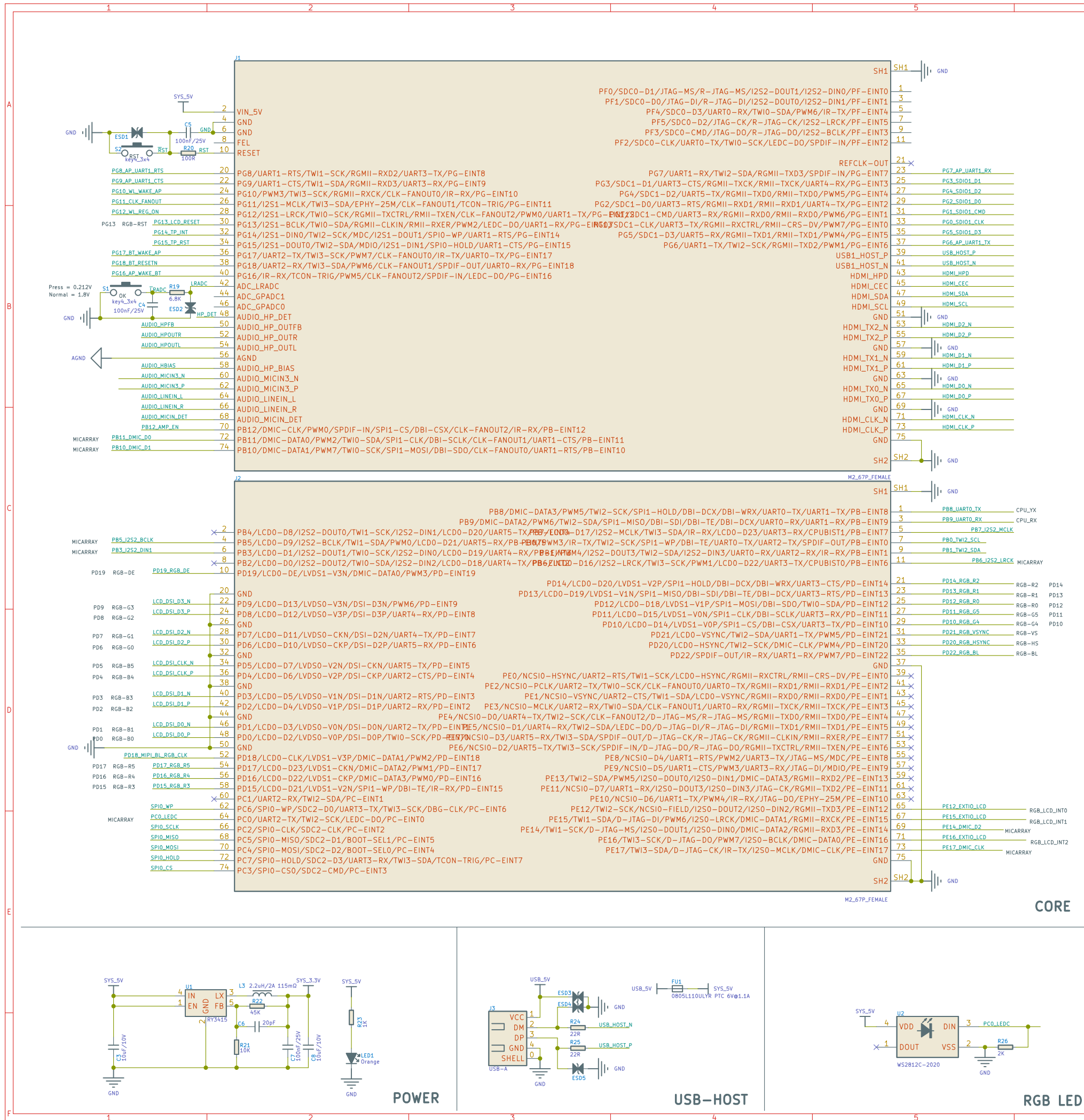
- 1、请确保USB输入电压不超过5.4V（绝对最大值），否则有可能造成PCBA永久损坏。
- 2、在插拔核心板、线束插头与任何软排线之前，请先切断电源。

NOTICE:

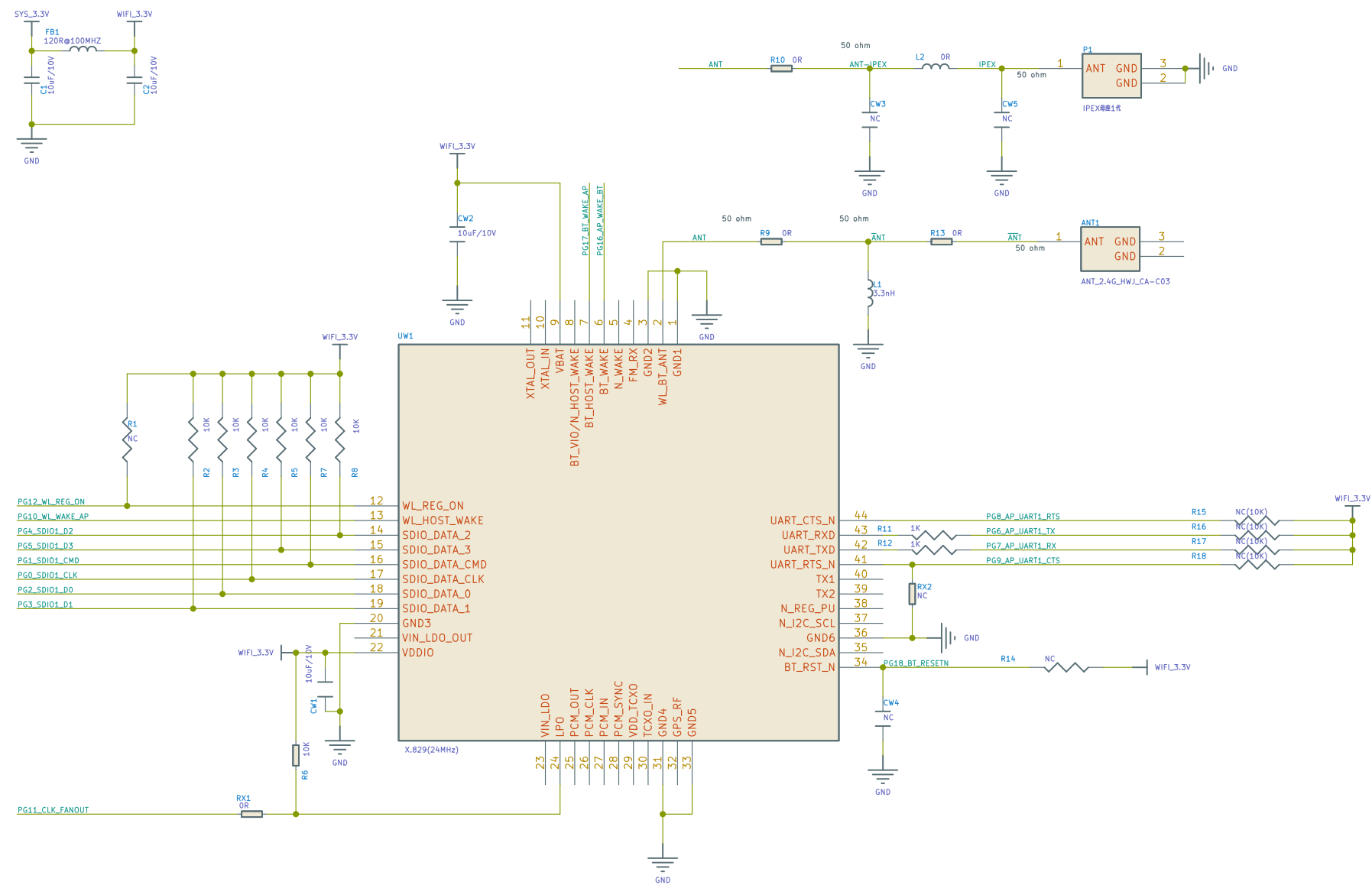
1. Make sure that USB input voltage below 5.4V(absolute max), or the PCBA wolud be damaged by the too high voltage.
2. Please power-off the whole board before insert/remove operation with the core board or any FPC and connector.



Sheet: /		
File: RV_Dock_3516.kicad_sch		
Title: RV_DOCK		
Size: A3	Date: 2021-12-15	Rev: 1.0
KiCad E.D.A. kicad (5.99.0-13035-g22ba640c2b)		Id: 1/4



Sheet: /0_MB_3516/
 File: 0_MB_3516.kicad_sch
Title: 0_MB_3516
 Size: A3 Date: 2021-12-15 Rev: 1.0
 KiCad E.D.A. kicad (5.99.0-13035-g22ba640c2b) Id: 2/4



Sheet: /1_AP_3516/		
File: 1_AP_3516.kicad_sch		
Title: 1_AP_3516		
Size: A3	Date: 2021-12-15	Rev: 1.0
KiCad E.D.A. kicad (5.99.0-13035-g22ba640c2b)		Id: 3/4

